

**WARNINGS****1.1 Introduction**

The following instruction manual constitutes an integral part of the device. Complete instruction manual should be kept within the User's reach throughout the period of device's operation.

Information which is significant from the User's point of view is marked using this symbol:

**1.2 Intended application**

The charger should be used indoors exclusively.

The product is to be used for connecting and charging up to 32 devices (such as tablets or smartphones) via an integrated USB (Universal Serial Bus) type A connector representing BC1.2 5V DC standard. Do not use the device for purposes other than the ones indicated in this instruction manual.



The device should be kept out of the reach of children.

1.3 General recommendations concerning the safety

One should comply with all of the following recommendations to ensure safety:

- Read the operating instruction manual before commencing the usage.
- Do not immerse the charger, cable or plug in water or other liquids.
- Do not use the device if the power cord or plug is damaged.
- Do not use the device if it has been damaged.
- Do not place the power cord on sharp edges or blades.
- Protect the power cord from heat and oils.
- Do not place the charger in places which get hot easily or in direct sunlight.
- Do not cover the front or rear part of the charger, keep a minimum of 5 cm empty space from each side.
- Do not remove the plug from the socket with wet hands.
- In case of damage concerning the device, it has to be repaired by the Manufacturer.
- The User is not allowed to repair the device on its own.
- Do not introduce changes concerning the charger.



Redeveloping or modifying the product is forbidden. If the product is used for an unintended purpose or if it is connected in a manner not observing the conditions indicated in this instruction manual, the product can end up being damaged. Improper use can cause a danger situation (e.g. short circuit, fire, electric shock, etc.). In such a case the Manufacturer shall not bear responsibility.



Before commencing the device, check whether the installation to be used for connecting the charger meets all of the criteria indicated below:

- The power supply installation is equipped with overcurrent protection $\geq C 6A$.
- The power supply installation is equipped with a residual current circuit breaker intended for alternating currents and pulsating type A currents.
- The power supply installation is equipped with a socket equipped with a protective PE contact.

**DESCRIPTION OF THE DEVICE****2.1 Description of the packaging contents**

This set includes:

- L032 charger;
- 3m long power cord equipped with a UNI-SCHUKO plug, PE contact and V-LOCK fastening;
- 2 pieces of spare quick fuses 3.15A, size 5x20mm;
- 2 pieces of M5x8 DIN 912 screws with DIN 6798 $\varnothing 5,3$ pads;
- 2 pieces of 150mm long braid for earthing the cabinet or lift door;
- 4 M4x12 DIN 7500 screws for mounting Schuko® socket;
- Instruction manual;
- General Guarantee Conditions, Privacy Policy, Complaint Form



The packaging of the device is made of materials having no negative impact on the environment. The aforementioned materials are recyclable. The packaging materials should be disposed of at appropriate collection centres.



The package contains small elements. Consequently, the risk of suffocation or choking exists. Do not leave the packaging unattended and keep it away from children.

2.2 Description of the identification plate

The identification plate contains technical data, serial number and indication of the model. Removing the identification plate is forbidden.

2.3 Disposal

The device must be disposed of separately from other waste following the Directive 2012/19/EC after completing its lifetime.

The device does not contain substances which are hazardous to health and the environment in accordance with the requirements of applicable European directives.



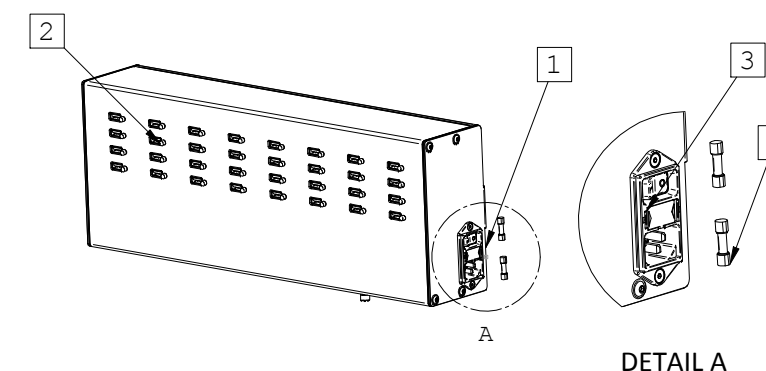
Disposing of used electrical appliances together with household waste is not allowed. Return used electric appliances to the centre for the selective collection of electrical waste so that it could be disposed of following the applicable regulations. Such a procedure prevents contamination of the environment and enables recycling materials left from the old equipment.

2.4 Manufacturer's liability

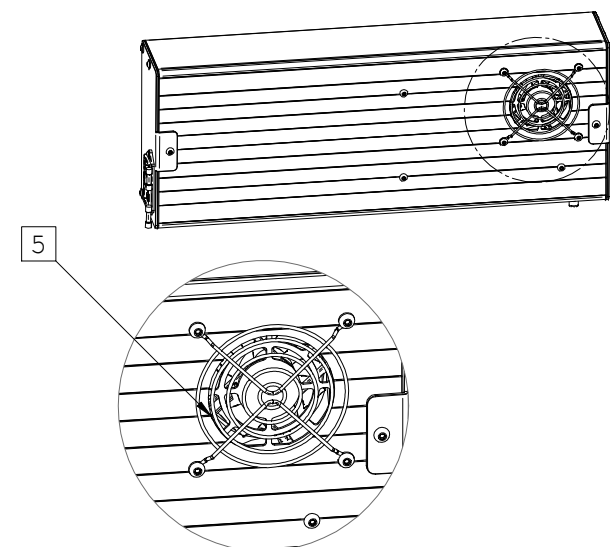
The Manufacturer is not liable for personal or material damage resulting from:

- using the device in a manner inconsistent with the intended use of this device,
- the User not reading and observing the instruction manual,
- tampering even with one part of the device,
- using unoriginal spare parts,
- not observing warnings regarding the safety.

Detailed guarantee conditions can be found in Wimerton General Guarantee Conditions.

**USAGE****3.1 Description of the device**

DETAIL A

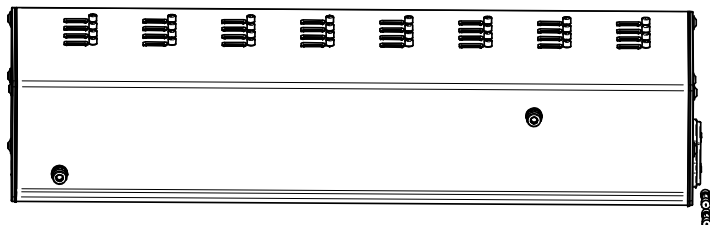


DETAIL B

1. Power module equipped with an illuminated switch, C13 socket with V-LOCK system and fuses.
2. Main housing equipped with 32 USB sockets with control diodes.
3. Double socket for safety fuses.
4. 2x safety fuses; dimension: 5x20mm, current: 3.15A, type: fast.
5. Cooling fan grid, **DO NOT COVER THIS PART!**

3.2 Mounting points and earthing

BOTTOM VIEW



The charger is equipped with two mounting points and the device should be permanently attached to the surface using two M5x8 screws constituting the part of the set. Tightening torque of 2Nm screws.

The charger is equipped with an earthing point marked with the following sign:



After installation at its final position, one should test the continuity of the protective conductor before using the device.

3.3 Technical data

Input	Power range	230-240 VAC
	Frequency range	50-60 Hz
	Permissible maximum load	3,15 A
Output	USB power range (up to + 5%)	5 VDC
	Permissible load 1x USB	1800 mA
	Permissible power 1x USB	9 W
Work environment	Ambient work temperature	-5~+50 °C
	Ambient work humidity	20~75 %RH
	Ambient storage temperature	-20~+70 °C
	Vibration level	10~500 Hz
Protection	Surge arrester	5,75~7,5 V
	Overload protection	105~135 %
	Temperature protection	90 °C
	Degree of IP protection for USB sockets	IP20
	Degree of IP protection for the housing	IP20
Other	Dimensions	440x90x170 mm

3.4 Initial launch



The first launch should take place without any devices connected to the charger. The objective is to verify whether the charger has been damaged during the transport. The User has to verify whether there are any disturbing symptoms (smoke, sparks, humming, etc.). The test should take a minimum of 15 minutes. The User can proceed to connecting devices and normal operation only after performing the aforementioned verification.

The charger should be mounted in a place where the surface is solid, constant access of fresh air is required, the device should be located in a room which is often aired. Holes situated on one of the side walls can be used (two M5 holes, the maximum length of the screw should not exceed 8 mm) for mounting the charger on a solid surface. There is a vent hole located on the rear wall which must not be covered or hidden. The distance to the nearest obstacle from the wall with a fan should exceed 10cm.

3.5 Operation and use

Connect the charger using an appropriate power cord included in the set to the power grid in order to start the device. Then connect one tablet or smartphone (bear in mind that you may experience difficulty in charging certain devices) to one free USB port in the charger using the cable included in the mobile device set. A maximum of 32 devices can be connected. Move the main switch to position "1" to commence the charging process. The device works if green LED lights up at each USB port. At the same time the protection system responsible for disconnecting the device after 10 hours of charging is activated. When all the LEDs at the USB sockets cease being lit, it constitutes a confirmation that the charging cycle has been completed. The purpose of the applied protection is to reduce the consumption of electricity and the wear of batteries connected to the system. Moreover, LED serves as a signal of the correct operation of each USB socket. If you notice that some LEDs are off, it may indicate that USB socket adjacent to the diode is damaged. Move the main switch to position "0" to turn the device off.



Bear in mind that the device can be disconnected from the charger only when all LEDs are off. Repeat the aforementioned steps to commence the charging cycle again.



Turn the charger off by switching the main switch to position "0" to connect another device for charging. Only after doing so you can connect another device to a free USB port.



Do not connect other devices during the charging process.



Disconnecting the device in a different manner than the one described in this document (e.g. by removing the power cord from the socket) shall damage the device and the guarantee shall not be effective.



If the LEDs do not light up or if you notice any other defect during switching the device on, immediately disconnect the device and turn it off without using it, otherwise the guarantee shall become null and void. The User has to check whether all requirements regarding the connection conditions of the device are met.



If defects or damages concerning the product appear during the guarantee period and User cannot identify and correct the cause of the situation on its own (without interfering with the device), one has to inform the manufacturer immediately but no later than within 7 days from the date on which the defect or damage appeared.



CLEANING AND MAINTENANCE

4.1 Warnings



Danger of experiencing electric shock. Disconnect the plug from the socket before cleaning.

Risk of damage concerning the surfaces and components:

- Do not use steam to clean the surface.
- Do not use products containing ammonia, chlorine or bleach.
- Do not use abrasive or aggressive detergents.
- Do not use abrasive, crude or sharp metal scrapers.

4.2 Cleaning the surface

Clean the surface regularly using a dry cloth to keep the device in good condition.



The surface of the charger housing is sensitive to scratches.

The product is covered by a 24-month guarantee, the detailed terms and conditions are included in Wimerton General Guarantee Conditions.